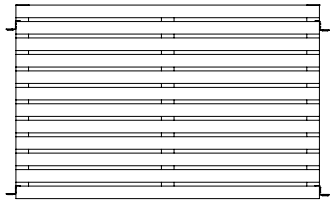
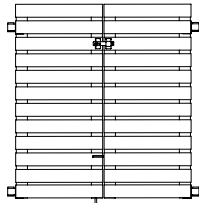


Vista

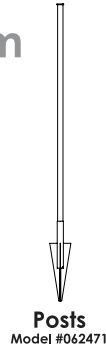
No Dig Cedar Fencing System



Panels
Model #062457



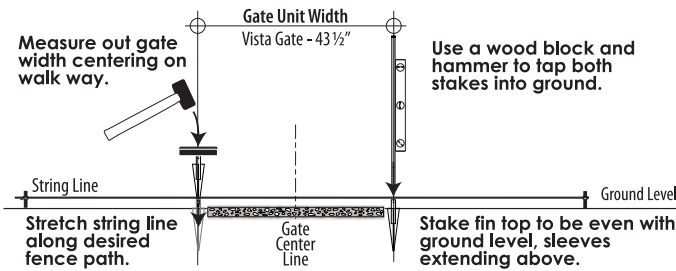
Gate
Model #062464



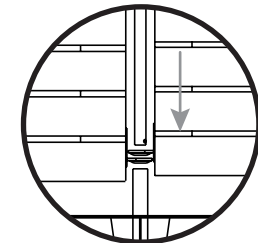
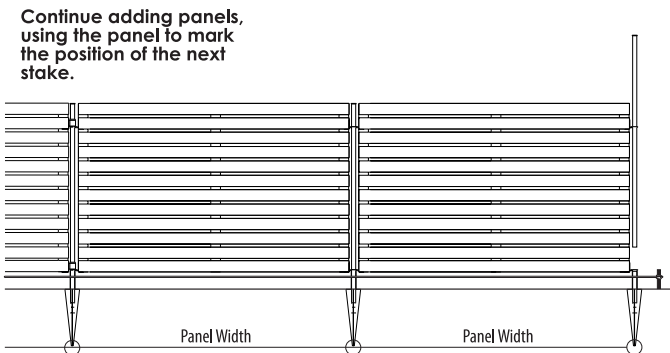
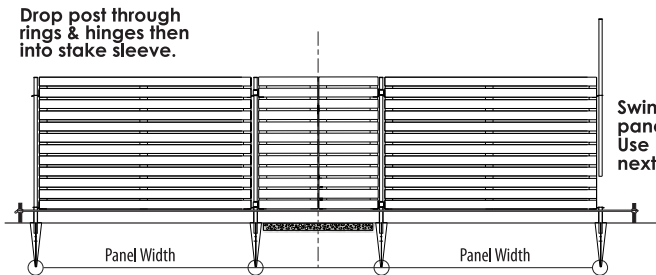
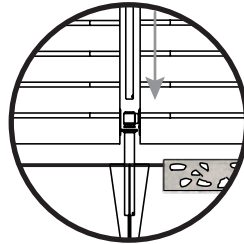
Posts
Model #062471

- Tools Required:**
- ✓ Block of wood
 - ✓ Mason string and stakes
 - ✓ 5 lb. sledgehammer
 - ✓ Drill with Phillips drive bit
 - ✓ 1/16" drill bit

No Dig Fencing System - Install

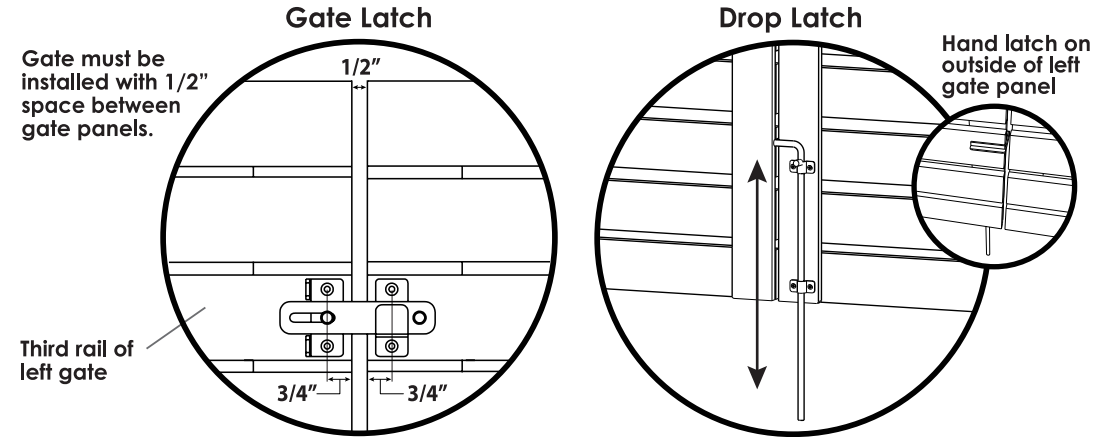


Panel ring rests on top of stake sleeve.
Bottom gate hinge rests on top of base panel ring.



Left panel (lower) rings rest on top of stake sleeve.
Right panel (raised) rings rest on top of left panel rings. Push post through all rings and into stake sleeve.

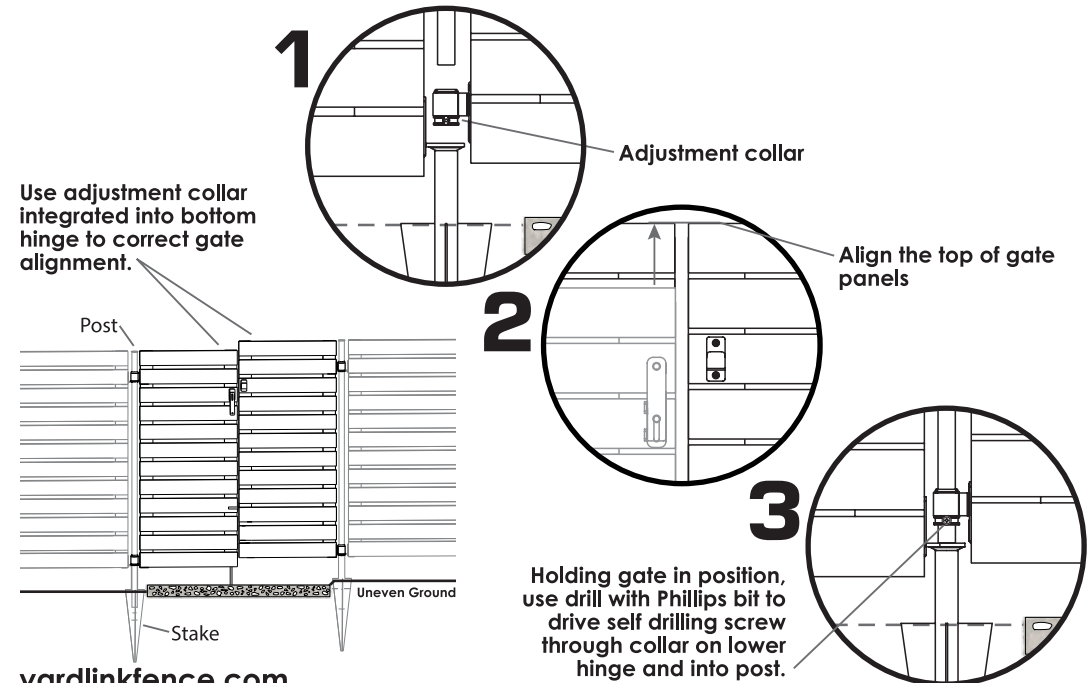
No Dig Fencing System - Gate Latch Installation



Locate latch on the third rail down on the gate panels and center on rail as shown. Drill 1/16" pilot holes in positions shown and attach each side of latch with Phillips screws. Check for latch operation before securing latch.

Mark location of the drop latch clamps on rear of the left side of the gate. Drill 1/16" pilot holes and attach drop latch to the left gate panel with Phillips screws. Drop latch must drop into soil or hole in walkway to secure. May require masonry drill.

No Dig Fencing System - Gate Adjustment



yardlinkfence.com



Questions, problems, missing parts? Before returning to your retailer, call our customer service department at 800.607.6409, 8:00 am - 5:00 pm EST Monday - Friday. Or eMail us at CustomerService@OPBglobal.com