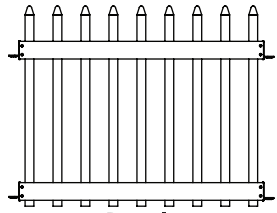
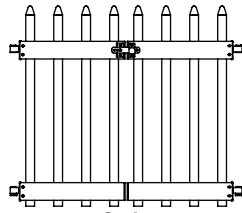




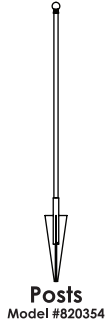
Vinyl No Dig Fencing System



Panels
Model #820392

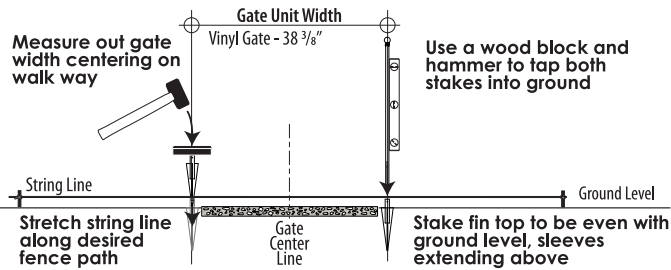


Gate
Model #820408

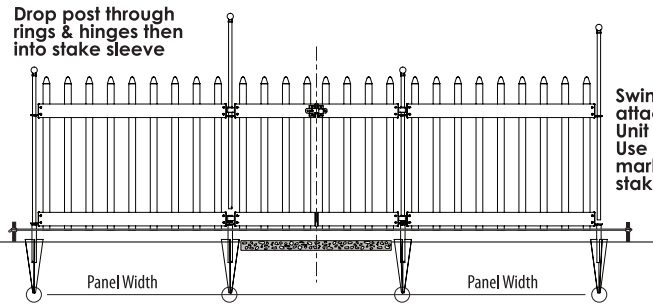
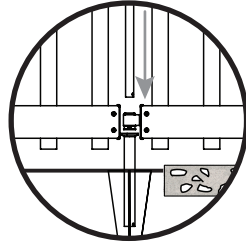


Posts
Model #820354

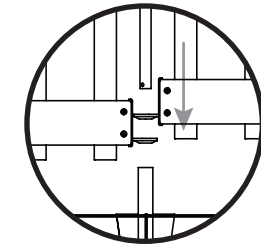
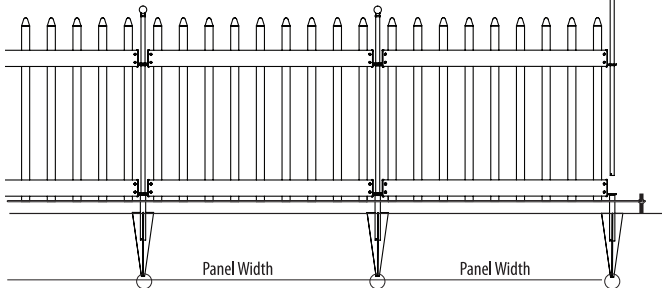
No Dig Fencing System - Install



Panel ring rests on top of stake sleeve
Bottom gate hinge rests on top of base panel ring



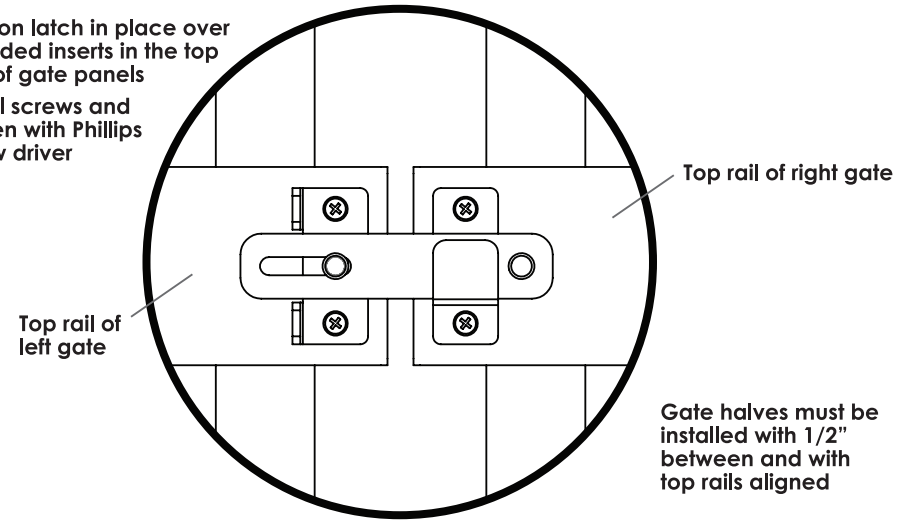
Continue adding panels, using the panel to mark the position of the next stake



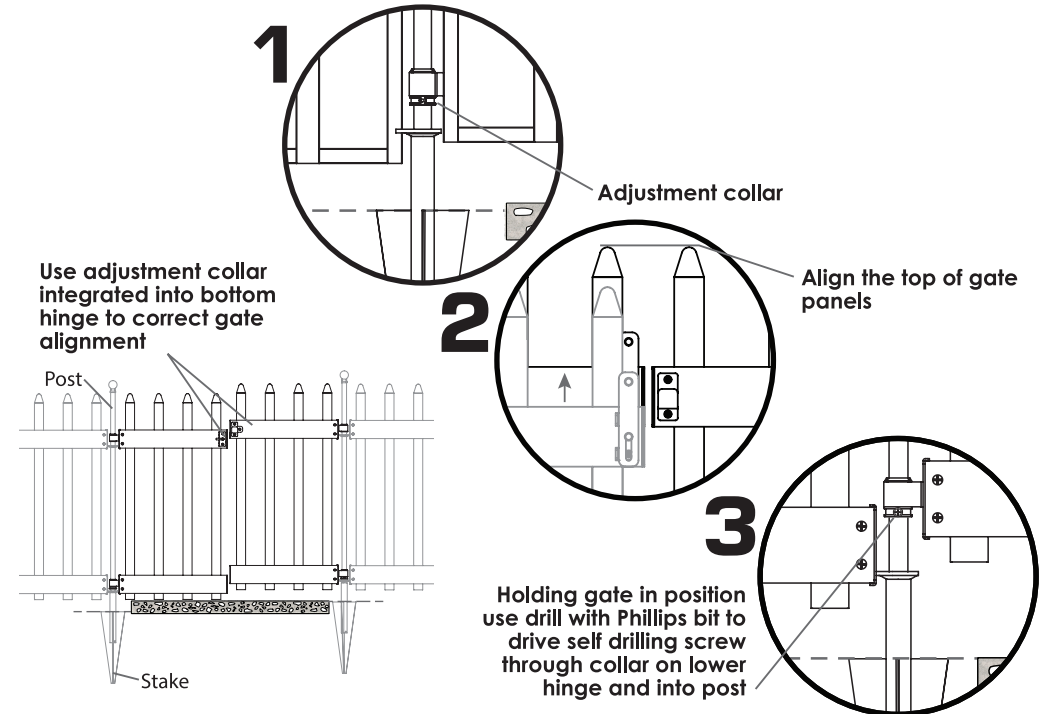
Left panel (lower) rings rest on top of stake sleeve
Right panel (raised) rings rest on top of left panel rings
Push post through all rings and into stake sleeve

No Dig Fencing System - Gate Latch Installation

Position latch in place over threaded inserts in the top rails of gate panels
Install screws and tighten with Phillips screw driver



No Dig Fencing System - Gate Adjustment



Questions, problems, missing parts? Before returning to your retailer, call our customer service department at 800.607.6409, 8:00 am - 5:00 pm EST Monday - Friday. Or eMail us at CustomerService@OPBglobal.com