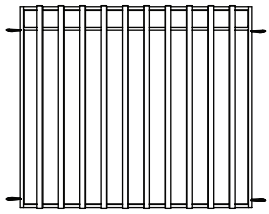
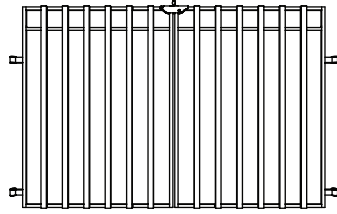


# Steel - Three Rail

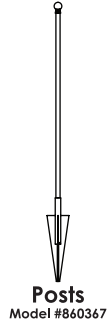
## No Dig Fencing System



**Panels**  
Model #860701

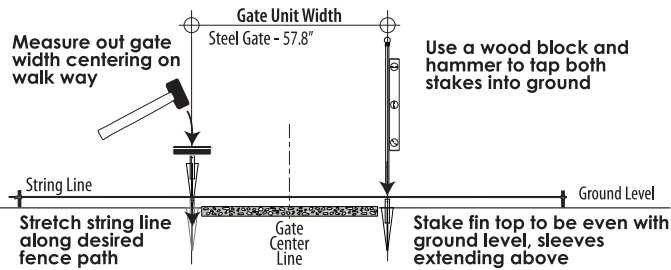


**Gate**  
Model #860718

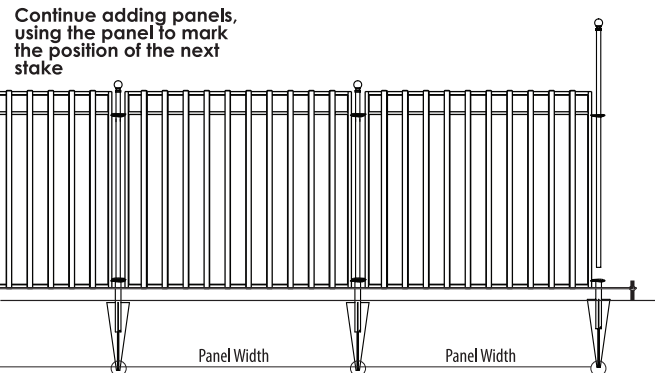
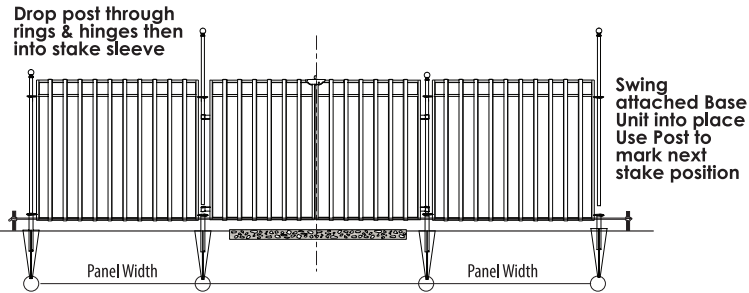
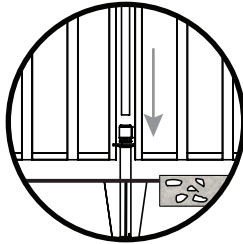


**Posts**  
Model #860367

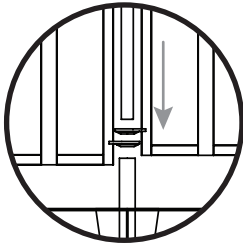
## No Dig Fencing System - Install



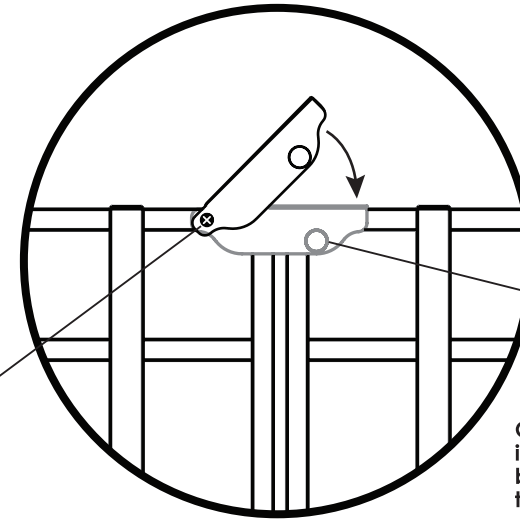
Panel ring rests on top of stake sleeve  
Bottom gate hinge rests on top of base panel ring



Left panel (lower) rings rest on top of stake sleeve  
Right panel (raised) rings rest on top of left panel rings  
Push post through all rings and into stake sleeve



## No Dig Fencing System - Gate Latch Installation

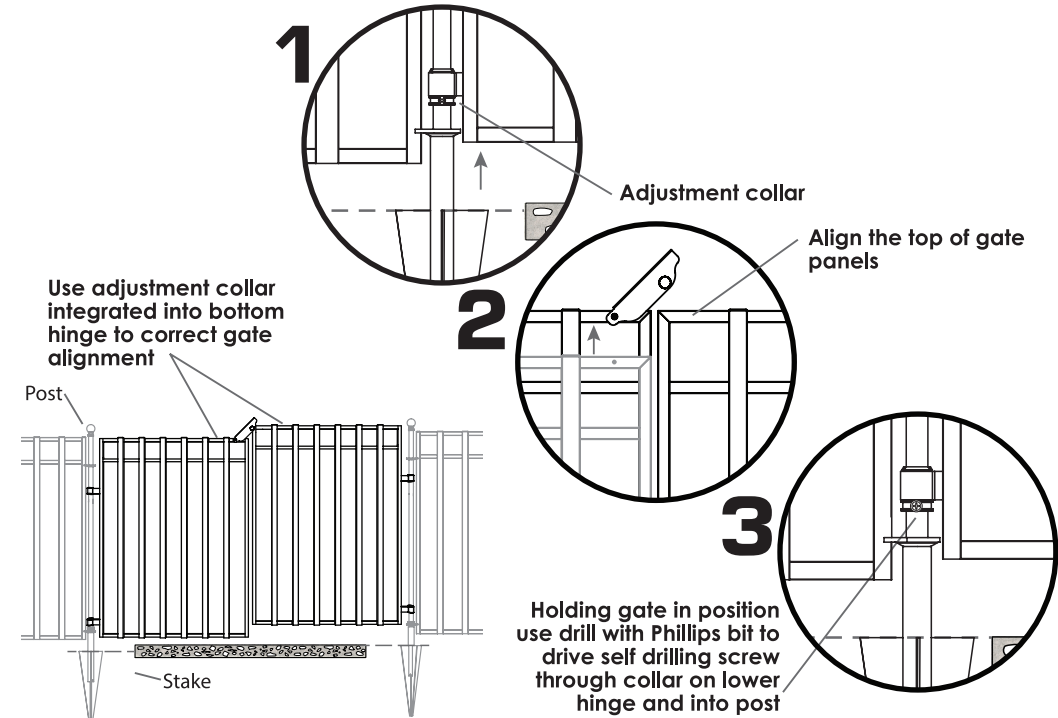


Align holes in gate & gate latch  
Attach and tighten with included nut and bolt

Use pull pin to secure gate

Gate halves must be installed with 1/2" between and with top rails aligned

## No Dig Fencing System - Gate Adjustment



Questions, problems, missing parts? Before returning to your retailer, call our customer service department at 800.607.6409, 8:00 am - 5:00 pm EST Monday - Friday. Or eMail us at [CustomerService@OPBglobal.com](mailto:CustomerService@OPBglobal.com)