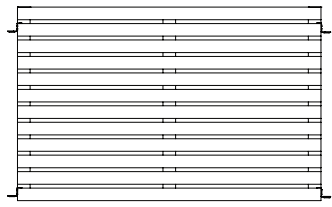
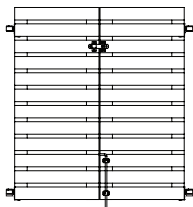


Vista

No Dig Cedar Fencing System



Panels
Model #062457



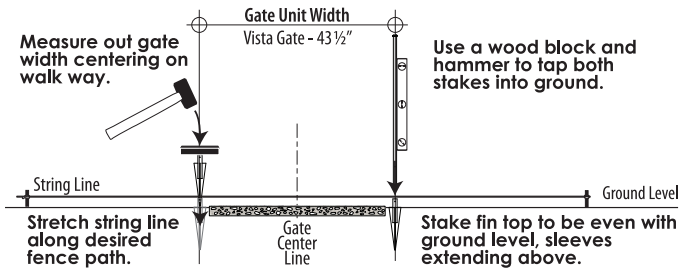
Gate
Model #062464



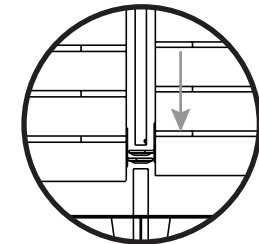
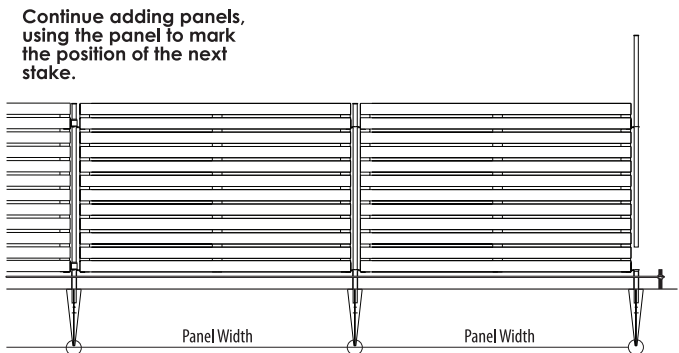
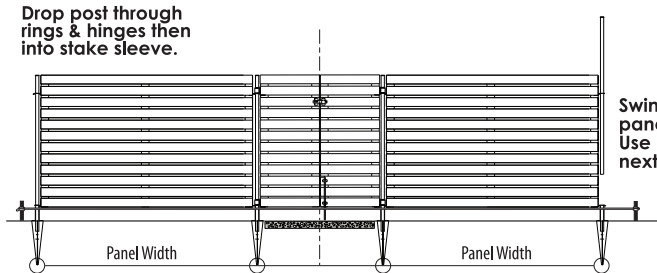
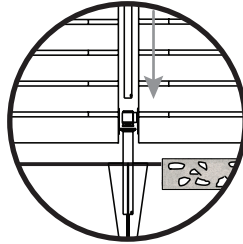
Posts
Model #062471

- Tools Required:**
- ✓ Block of wood
 - ✓ Mason string and stakes
 - ✓ 5 lb. sledgehammer
 - ✓ Drill with Phillips drive bit
 - ✓ 1/16" drill bit

No Dig Fencing System - Install

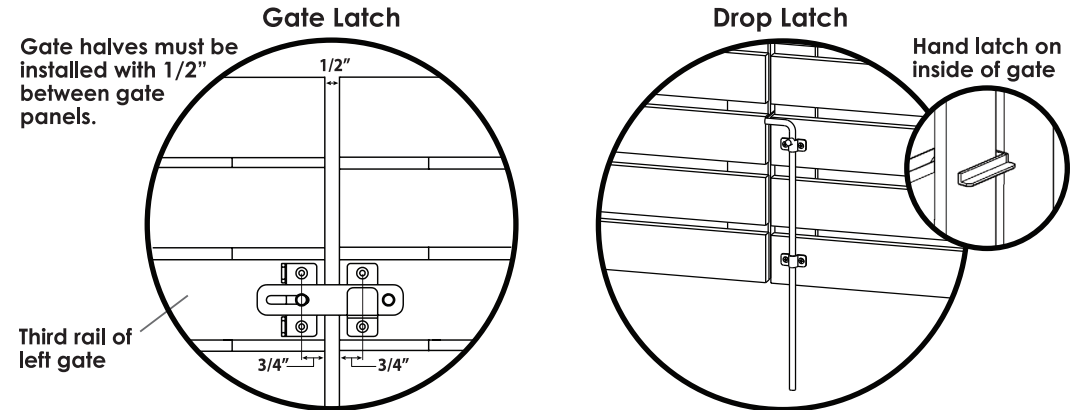


Panel ring rests on top of stake sleeve.
Bottom gate hinge rests on top of base panel ring.



Left panel (lower) rings rest on top of stake sleeve.
Right panel (raised) rings rest on top of left panel rings. Push post through all rings and into stake sleeve.

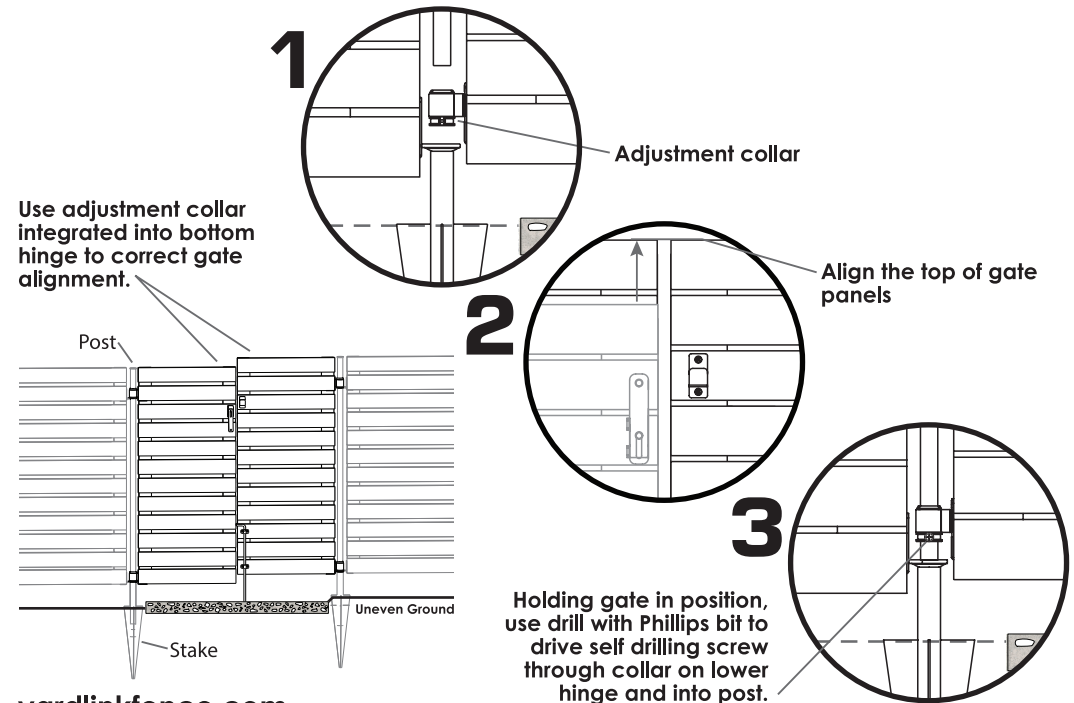
No Dig Fencing System - Gate Latch Installation



Drill 1/16" pilot holes in positions shown and attach latch to third wood rail from the top with Phillips screws.

Mark location of the drop latch clamps on the bottom and third rail from bottom. Drill 1/16" pilot holes and attach drop latch to the right gate panel with Phillips screws. Drop latch must drop into soil or hole in walkway to be secure. May require masonry drill.

No Dig Fencing System - Gate Adjustment



yardlinkfence.com



Questions, problems, missing parts? Before returning to your retailer, call our customer service department at 800.607.6409, 8:00 am - 5:00 pm EST Monday - Friday. Or eMail us at CustomerService@OPBglobal.com